

TFMOV

Thermally Protected Varistors-Mechanical trip

TFMOV25M Series

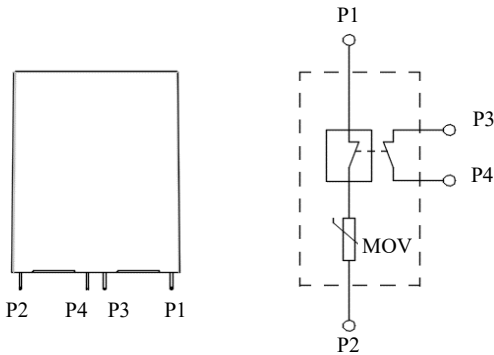
Description



Thermally Protected Varistors - Mechanically Off Type Thermally Protected Varistors (TFMOV) are thermally protected varistors. TFMOVs have all the characteristics of a varistor (MOV) with the added benefit of thermal protection. MOVs are subject to two types of deterioration: natural deterioration due to prolonged operation, and deterioration due to abnormal surges. When a surge occurs, the leakage current of the degraded MOV increases continuously, causing the surface temperature of the MOV to rise continuously and the possibility of fire. At this time, the heat of the MOV in TFMOV is conducted to the cryogenic alloy solder joint, which senses the abnormal temperature and operates (fuses), driving the spring slider to cut off the circuit, disconnecting the MOV from the main circuit and thus protecting the entire circuit, as well as the MOV itself will not continue to heat up, and the phenomenon of catching fire.

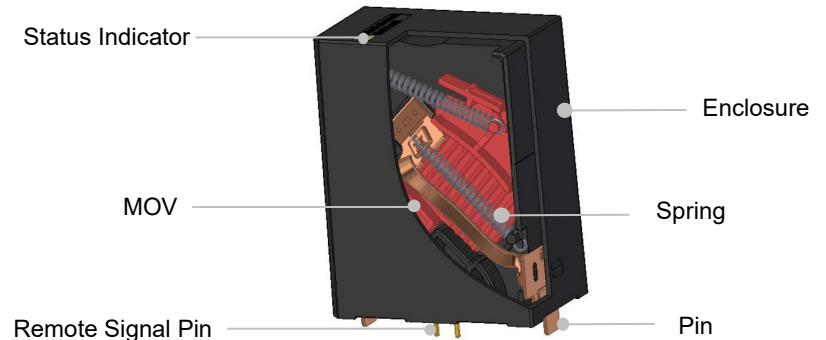
SETfuse (SETsafe | SETfuse) thermally protected varistor-mechanical release type TFMOV10M series is mainly composed of varistor (MOV), mechanical release device, flame-retardant housing and metal components (pins, springs). Nominal Discharge Current: 20 kA; Maximum Continuous Operating Voltage: (385 ~ 680) VAC; Maximum Continuous Operating DC Voltage: (505 ~ 900) VDC Safety Certification: UL, cUL, TUV, CE; RoHS, REACH compliant.

Schematics



TFMOV (Mechanical trip)

Structure



TFMOV (Mechanical trip)





Features

- Overvoltage Protection has High Breaking Capacity and Fast Trip Response
- It Can Meet the Working Temperature of -40 ~ 105 °C
- Thermal Protection, High Reliability
- Small Size
- Remote Signal Contact for Failure Indication
- High Energy Capacity
- Sealing Material, Flame-retardant to V0 (UL 94)
- Comply with UL 1449 / IEC 61643-11

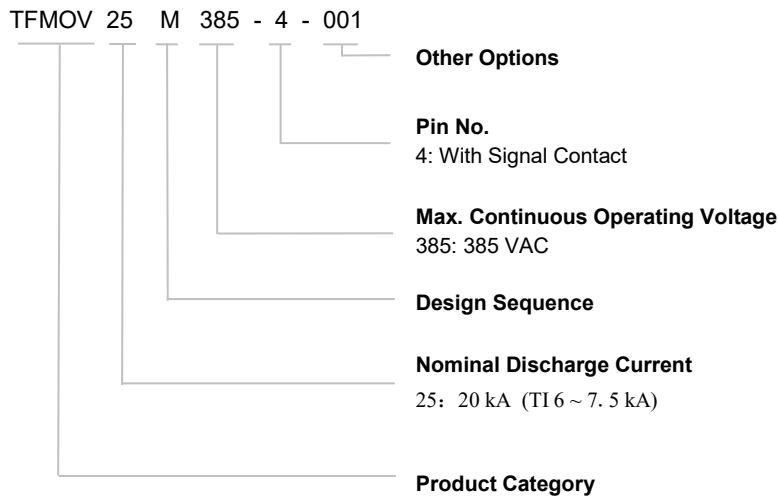
Applications

- Telecom Equipment
- String Inverter in Photovoltaic System
- AC / DC Power Supply
- Uninterruptable Power Supply (UPS)
- Surge Protective Device (SPD)
- Electric Meter
- Power Distribution Unit (PDU)
- Lightning Protection Socket

Agency Approvals

Agency Symbol	Standards	The File No. and certification No. obtained by SETsafe SETfuse	Category
	UL 1449 4th	E322662	Type 4CA Type 1CA
	CSA C22.2 NO. 5 CSA C22.2 NO. 4	E322662	Type 4CA Type 1CA
	EN 61643-11, EN 61643-31	J 50522548 / J 50522558	Class I and Class II
	IEC/EN 61643-11, IEC/EN 61643-31	AN 50522552 / AN 50522561	Class I and Class II
Environment	RoHS & REACH	Compliant	

Part Numbering System



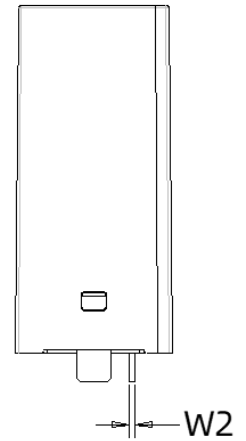
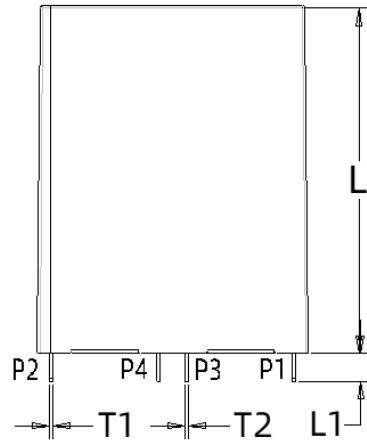
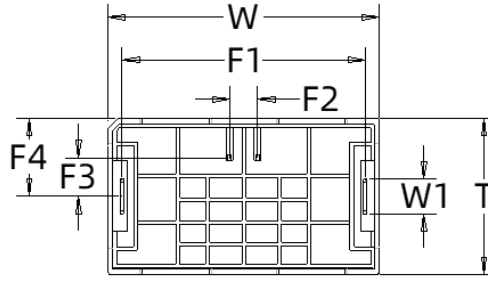
Reminder:

1. Pin number and other options are used only as identification codes for internal unique specifications and are not part of the product model
2. Part numbering system in the datasheet is only for selecting correct parameter and product features. Before placing order, please contact us for specifications and use the part number and product code in the specifications to place order to ensure the part is correct. Product code is the unique identification.

TFMOV

Thermally Protected Varistors-Mechanical trip

TFMOV25M Series



Note: Unit: mm

L	L ₁	W	W ₁	W ₂	T
50.0 ± 1.0	4.0 ± 0.5	39.5 ± 1.0	5.0 ± 0.2	0.8 ± 0.2	22.5 ± 1.0
T ₁	T ₂	F ₁	F ₂	F ₃	F ₄
0.6 ± 0.1	0.5 ± 0.1	35.0 ± 0.5	4.0 ± 0.5	5.5 ± 0.5	11.2 ± 0.5

Specifications

Model	Nominal System Voltage	Nominal Varistor Voltage @1mA	Max. Continuous Operating Voltage		Nominal Discharge Current (8/20 μs)	Impulse Discharge Current (10/350 μs)	Max. Discharge Current (8/20 μs)	Voltage Protection Level	UL1449	IEC/EN 61643-11	IEC/EN 61643-31
	U_n	VDC	MCOV		I_n	I_{imp}	I_{max}	U_p	DC Type 4CA	Class I and Class II	Class I and Class II
	VAC(V)	(V)	U_c (VAC)	U_{cpv} (VDC)	(kA)	(kA)	(kA)	(V)			
TFMOV25M385T1	277	620	385	505	20	7.5	40	1800	●	●	●
TFMOV25M440T1	347	680	440	585	20	7.5	40	2100	●	●	●
TFMOV25M510T1	347	820	510	670	20	6.5	40	2400	●	●	●
TFMOV25M550T1	480	910	550	745	20	6.5	40	2700	●	●	●
TFMOV25M575T1	480	950	575	760	20	6	40	2800	●	●	●
TFMOV25M625T1	480	1000	625	825	20	6	40	2900	●	●	●
TFMOV25M680T1	480	1100	680	900	20	6	40	3000	●	●	●

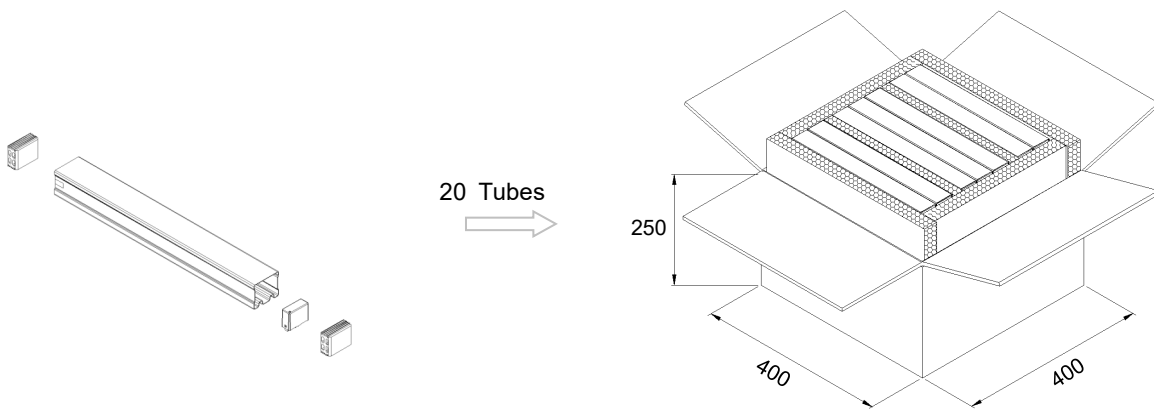
Note:

1. The Value of Voltage Protection Level (U_p) is determined according to IEC 61643-11:2011 clause 6.4.

Preferred values of voltage protection level (kV): 0.08, 0.09, 0.10, 0.12, 0.15, 0.22, 0.33, 0.4, 0.5, 0.6, 0.7, 0.8, 0.9, 1.0, 1.2, 1.5, 1.8, 2.0, 2.5, 3.0, 4.0, 5.0, 6.0, 8.0, 10.

2. "●" indicates that the product has been certified.

Packaging Information

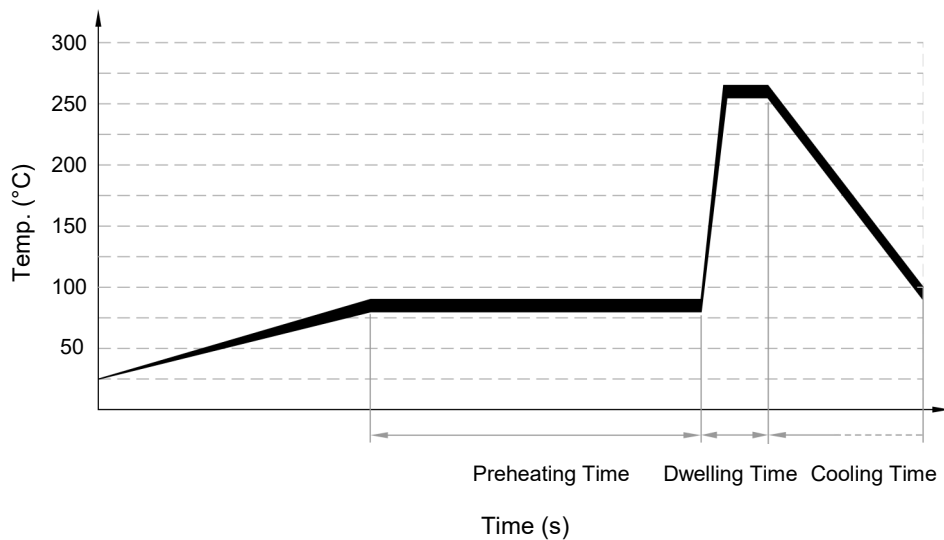


Unit: mm;

Please contact us if you have special packaging requirements.

Item	Tube	Carton
Dimensions (mm)	46 × 43 × 318	400 × 400 × 250
Quantity (PCS)	17	340

Wave Soldering Parameters (Reference)

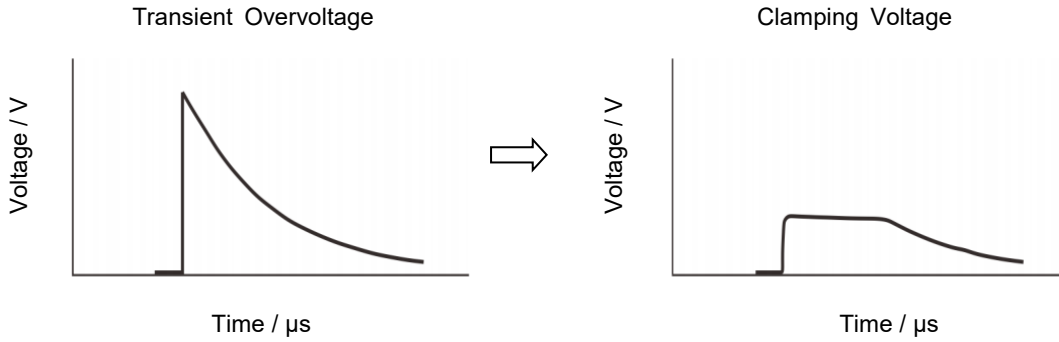


Item	Temp. (°C)	Time (s)
Preheating	80 ~ 120	60 ~ 150
Dwelling	250 ~ 270	4 ~ 6

Recommended Hand-Soldering Parameters

Item	Condition
Iron Temperature	350 °C (Max.)
Soldering Time	4 seconds (Max.)
Distance between Soldering Point and the Bottom of Product	2 mm (Min.)

MOV Operation Principle



Thermal Protection MOV

Figure a is a surge protection circuit commonly used in power supplies. MOV is used to suppress the surge voltage and protect the subsequent circuit. There is a risk of burning when the varistor degrades or fails. In the high-reliability surge protection circuit of Figure b, in order to improve the safety of the circuit, a thermal protection varistor TFMOV is used as the surge voltage protection element. TFMOV is a combination of varistors (MOV) and thermal protection component. When the temperature of the MOV is abnormally exceeded, the thermal fuse will be opened first, so that the failure mode of the MOV appears to be open-circuit failure.

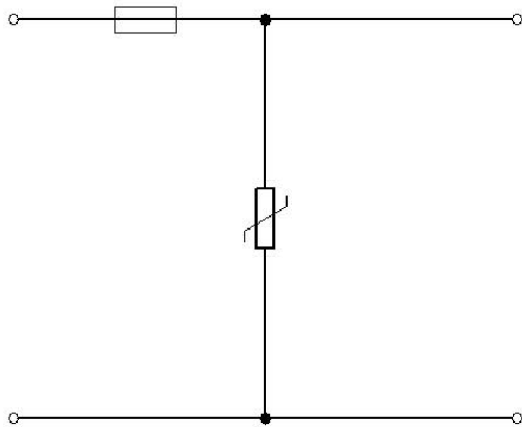


Figure a Typical surge protection circuit

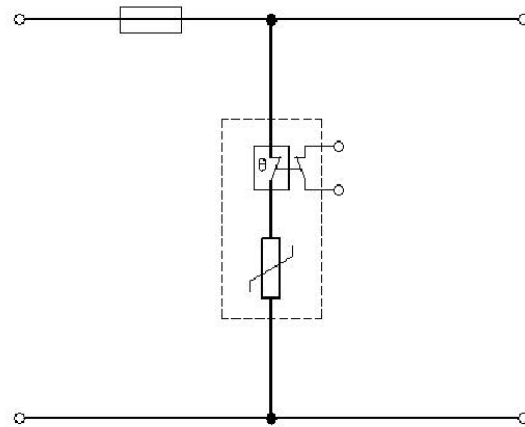


Figure b: High reliability surge protection circuit

TFMOV

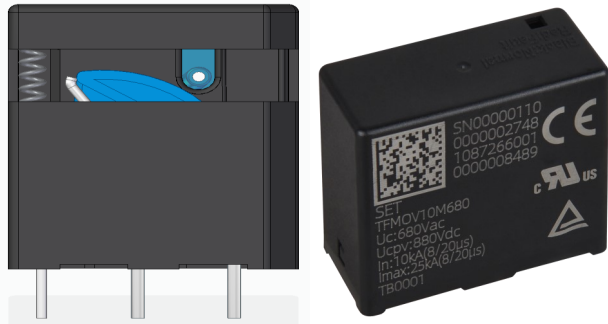
Thermally Protected Varistors-Mechanical trip

TFMOV25M Series

Benefits



Safety



TFMOV Failure Simulation

During the electrical performance degrading of varistor, the inbuilt ATCO will open the circuit when the leakage current of varistor increases to tens of micro Amperes. As shown in the figure above, this is a safe open circuit failure.



Hidden Danger



Hole in Varistor



MOV Failure Simulation

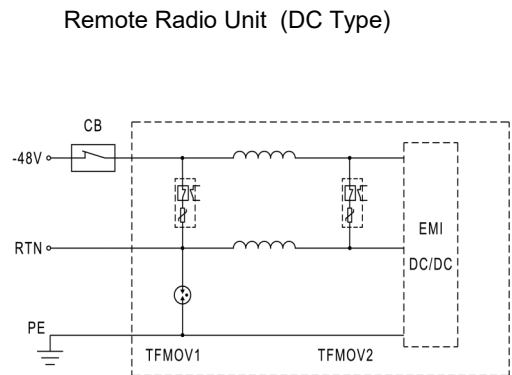
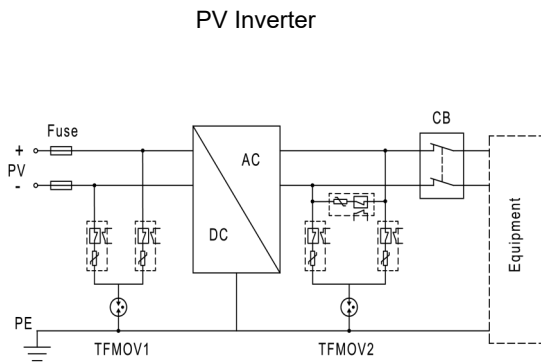
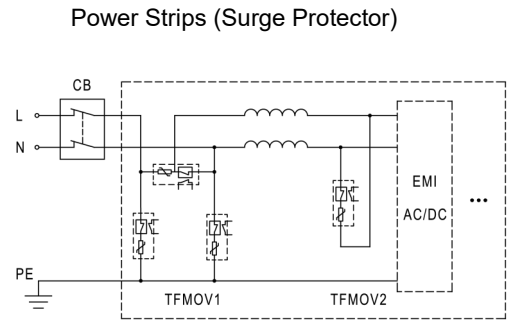
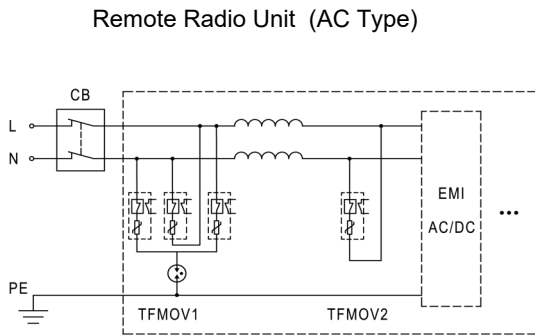
The electrical performance of varistor degrades with operating, mostly the varistor voltage drops, and leakage current increases. The heat accumulation can cause the temperature increase sharply and varistor results in thermal breakdown to short circuit status. It's very dangerous.

TFMOV

Thermally Protected Varistors-Mechanical trip

TFMOV25M Series

Application Options



Design

When a single TFMOV surge capacity can't meet the requirement of customers, paralleling more TFMOVs is recommended. Due to its nonlinear current-voltage characteristics, please pay attention to below tips:

1. Use the TFMOV from the same manufacturer with same model to parallel.
2. Control the varistor voltage; Typically, the varistor voltage deviation should be less than 1% in the same group (between the Max and Min), and meet the next tip at the same time.
3. Calculate the average surge capacity for each TFMOV and keep a margin at least 10%.
4. Design the layout like Figure.2. to make sure the surge capacity is divided averagely.

The Design not Recommended

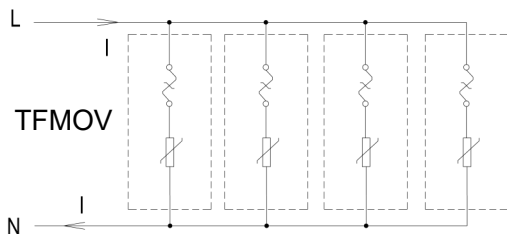


Figure .1

The Design Recommended

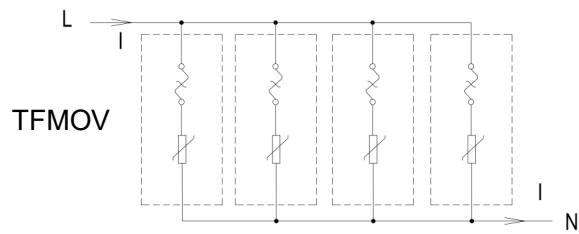


Figure .2

Glossary

Item	Description
V_N	Nominal Varistor Voltage Voltage, at specified d.c. current used as a reference point in the component characteristic.
8/20 μ s	8/20 Current Impulse Current impulse with a nominal virtual front time of 8 μ s and a nominal time to half-value of 20 μ s. — (IEC 61643-11)
1.2/50 μ s	1.2/50 Voltage Impulse Voltage impulse with a nominal virtual front time of 1.2 μ s and a nominal time to half-value of 50 μ s. — (IEC 61643-11)
U_c	Maximum Continuous Operating Voltage Maximum r.m.s. voltage, which may be continuously applied to the SPD's mode of protection. — (IEC 61643-11)
I_n	Nominal Discharge Current Crest value of the current through the SPD having a current waveshape of 8/20. — (IEC 61643-11)
I_{imp}	Impulse Discharge Current for Class I Test Crest value of a discharge current through the SPD with specified charge transfer Q and specified energy W/R in the specified time. — (IEC 61643-11)
I_{max}	Maximum Discharge Current Crest value of a current through the SPD having an 8/20 waveshape and magnitude according to the manufacturers specification. I_{max} is equal to or greater than I_n . — (IEC 61643-11)
V_c	Clamping Voltage Peak voltage developed across the varistor terminations under standard atmospheric conditions, when passing an 8/20 μ s class current pulse. — (IEC 61643-11)
C_v	Capacitance Capacitance across the MOV measured at a specified frequency and voltage. — (IEC 61643-11)
Modes of protection	Mode of protection of an SPD An intended current path, between terminals that contains protective components, e.g. line-to-line, line-to-earth, line-to-neutral, neutral-to-earth. — (IEC 61643-11)
U_p	Voltage Protection Level Maximum voltage to be expected at the SPD terminals due to an impulse stress with defined voltage steepness and an impulse stress with a discharge current with given amplitude and waveshape. — (IEC 61643-11)
IP	Degree of protection of enclosure Classification preceded by the symbol IP indicating the extent of protection provided by an enclosure against access to hazardous parts, against ingress of solid foreign objects and possibly harmful ingress of water — (IEC 61643-11)
MOV	Varistors A resistive device with nonlinear voltammetry characteristics — (IEC 61643-11)

Patents

Name	Region	Category	Patent NO.
Varistor with In-built Alloy-Type Thermal Fuse	China	Patent for Invention	ZL 200510044661.5
A Protection Pluggable Module with Over Current、 Over Voltage、 and Over Temperature Protection Function	China	Utility Model	ZL 201020244488.X
A Varistor with Double Protection Function	China	Utility Model	ZL 201020255481.8
Surge Protection Module Applicable for Power Strip	China	Utility Model	ZL 201120107173.5
A Surge Protection Module Applicable for Power Strip	China	Patent for Invention	ZL 201110092261.7
A New Type of Varistor and Surge Protective Device with Thermal Protection	China	Utility Mode	ZL 201420306127.1
A Surge Protective Device	China	Utility Modeel	ZL 201420415059.2
A Varistor and Thermal Protection Component Combination	China	Utility Mode	ZL 201520376567.9
合金型温度ヒューズ付のバリスタ	Japan	Utility Mode	3142835
Varistor with an Alloy-Type Temperature Fuse	Australia	Utility Mode	2007100456
Varistor with an Alloy-Type Temperature Fuse	Taiwan	Utility Model	M 300855
Varistor with an Alloy-type Temperature Fuse	Canada	Patent for Invention	2588819
Metal Oxide Varistor with Built-in Alloy-Type Temperature Fuse	USA	Patent for Invention	US 8780521
Varistor with In-built Alloy Type Thermal Fuse (with Housing)	USA	Patent for Invention	US 9355763



ATTENTION

Usage

1. The voltage applied continuously to the TFMOV can not exceed its maximum continuous operating voltage U_c .
2. When atmosphere press is from 45 kPa to 106 kPa, the related altitude shall be from 5000 meters to - 500 meters.
3. Do not touch the product body or pins directly when power is on, to avoid electric shock.
4. Do not clean the TFMOV with strong polar solvent such as ketone, esters, benzene, halogenated hydrocarbon, to avoid damaging the enclosure.
6. It should have a reliable grounding when using these products.

Replacement

TFMOV is a non-repairable product. For safety sake, please use equivalent TFMOV for replacement.

Storage

Do not store TFMOV at high temperature, high humidity or corrosive gas environment. To avoid reducing the solderability of the pins, please use them up within 1 year after receiving the goods.

Installation Position

Do not install the TFMOV on a place that may often suffer severe continuous vibration.

Mechanical Stress

Do not take violent action such as knocking when assembling to avoid mechanical damage.

Thermal Fuse & MOV (TFMOV) Feature & Model List Overview

Rated Voltage U_n (V)	Model		Nominal Discharge Current I_n (kA)	Page
	AC	DC		
690V				750
480V		TFMOV05M750	TFMOV20M750	750
		TFMOV05M680	TFMOV20M680	680
		TFMOV05M625	TFMOV20M625	625
347V				575
		TFMOV05M550	TFMOV20M550	550
		TFMOV05M510	TFMOV20M510	510
220		TFMOV05M460	TFMOV20M460	460
				440
		TFMOV05M420	TFMOV20M420	420
230V		TFMOV05M385	TFMOV20M385	385
		TFMOV05M350	TFMOV20M350	350
		TFMOV05M320	TFMOV20M320	320
120		TFMOV05M300	TFMOV20M300	300
		TFMOV05M275	TFMOV20M275	275
		TFMOV05M250	TFMOV20M250	250
130V		TFMOV05M230	TFMOV20M230	230
		TFMOV05M210	TFMOV20M210	210
		TFMOV05M190	TFMOV20M190	190
110V		TFMOV05M175	TFMOV20M175	175
		TFMOV05M150	TFMOV20M150	150
		TFMOV05M140	TFMOV20M140	140
60V		TFMOV05M130	TFMOV20M130	130
		TFMOV05M115	TFMOV20M115	115
		TFMOV05M95	TFMOV20M95	95
48V		TFMOV05M75	TFMOV20M75	75
		TFMOV05M60	TFMOV20M60	60
		TFMOV05M50	TFMOV20M50	50
24V				40
				35
				30
12V				25
				25
				25
AC				AC
DC				DC